

Informations techniques/Technical Matters

DATE October 28th, 1971.

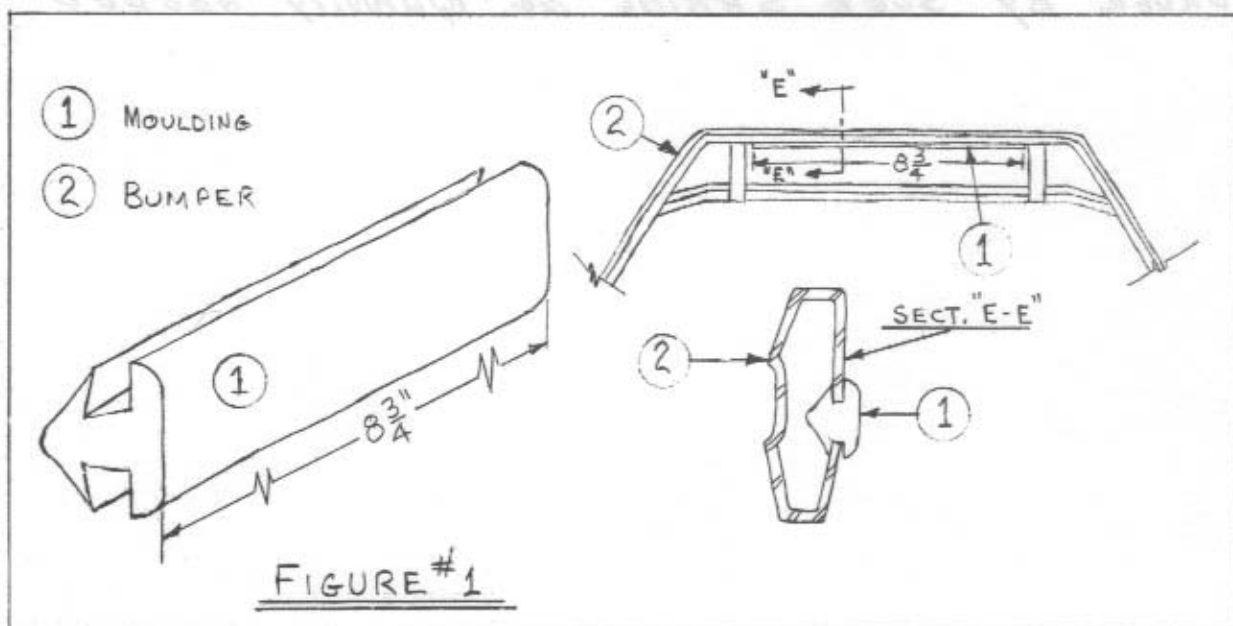
SUBJECT: "1972" FRONT BUMPER.

RE: FRONT BUMPER INSERTED MOULDING.

INCIDENT

Up to serial number 21916, a special plastic moulding (part #010187) will have to be inserted on the front bumper of all 1972 Moto-Ski snowmobiles (except Capri 292).

The purpose of this moulding will be to prevent possible injury to the hands when handling a "72" Moto-Ski by the front bumper (fig. 1, ref. 2).



REMEDY

A special plastic moulding of 8 3/4" long (see fig. 1, ref. 1) has to be inserted behind the front part of the bumper (see Sec. "E-E", fig. 1).

INSTALLATION PROCEDURE

1. Soak into hot water (180° - 200° F.) the plastic moulding.
2. As soon as the moulding gets warm and flexible (after 2 to 3 minutes)