

Informations techniques / Technical Matters

Industries Bouchard, Inc.

INDUSTRIE — MANUFACTURE
La Pocatière, P.Q., Canada
Giffen • RECREATION code 418 tél.: 856-1232
téléc.: 011-3486

September 22, 1970

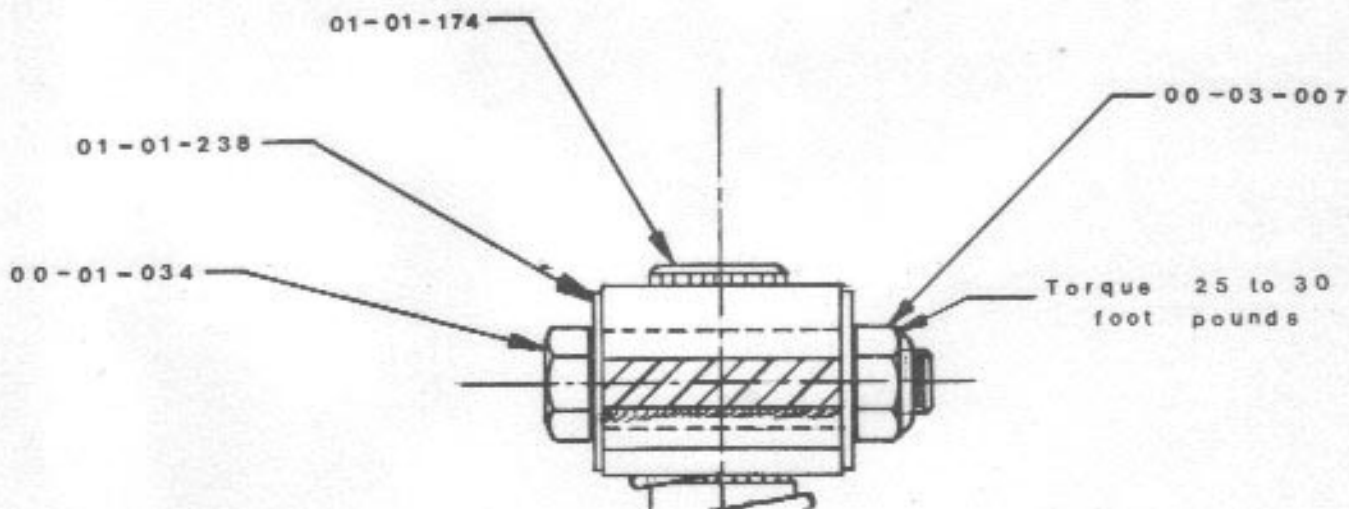
DATE _____

SUBJET: Torque tightening of all steering arms except Mini-Snow.

When securing the steering arm PT # 01-01-166 to the ski leg PT # 01-01-174 it is important to torque the nut PT # 00-03-007 and bolt PT # 00-01-034 from 25 to 30 ft/lbs.

It is also equally as important, that this operation be performed as part of the "Pre-Delivery Check List" and repeated every 15 hours. Also ensure that the steering arm is completely on the spline and correctly engaged.

NOTE: When tightening, do not exceed 30 ft/lbs as you will overcome the yield strength of the bolt.



fh/RL

Roger Lamontagne
Roger Lamontagne
Technical Information Manager.