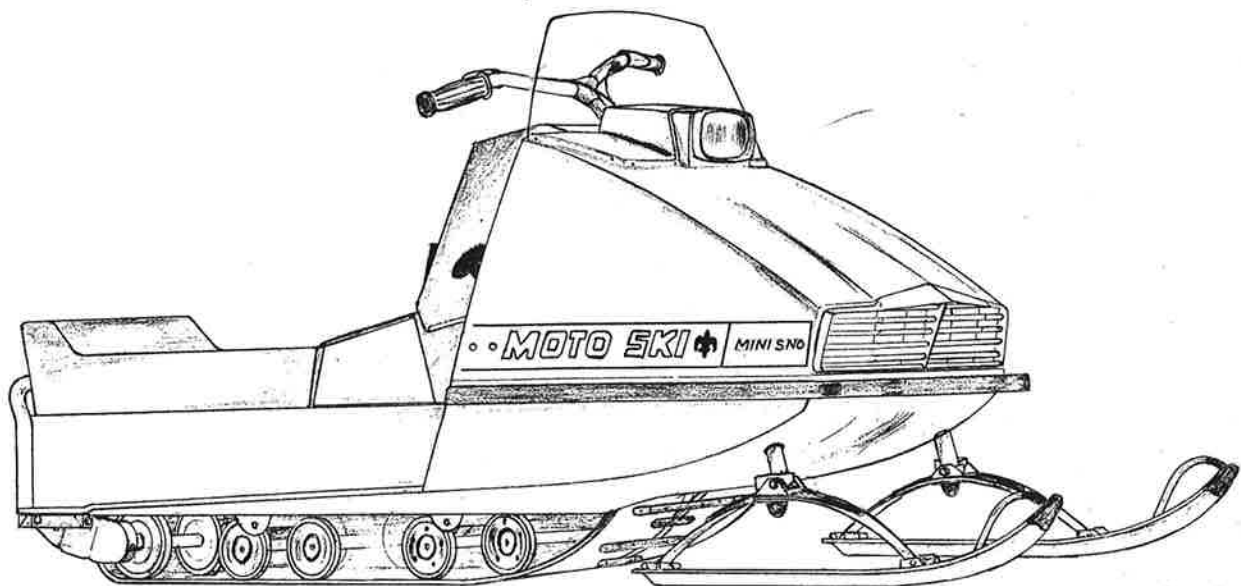


MINI-SNO

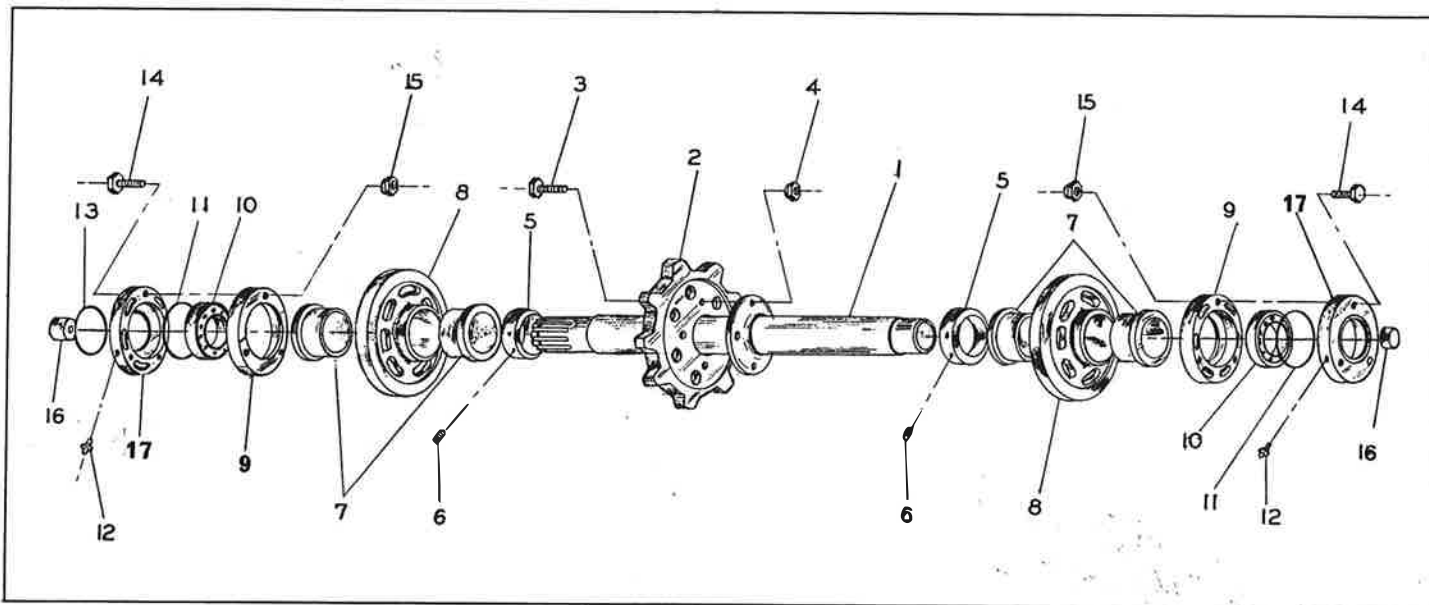
1971



PARTS CATALOGUE

MOTO-SKI LTÉE/LTD
MINI-SNO 1971
PARTS CATALOGUE
NO: 400791
AVRIL 72

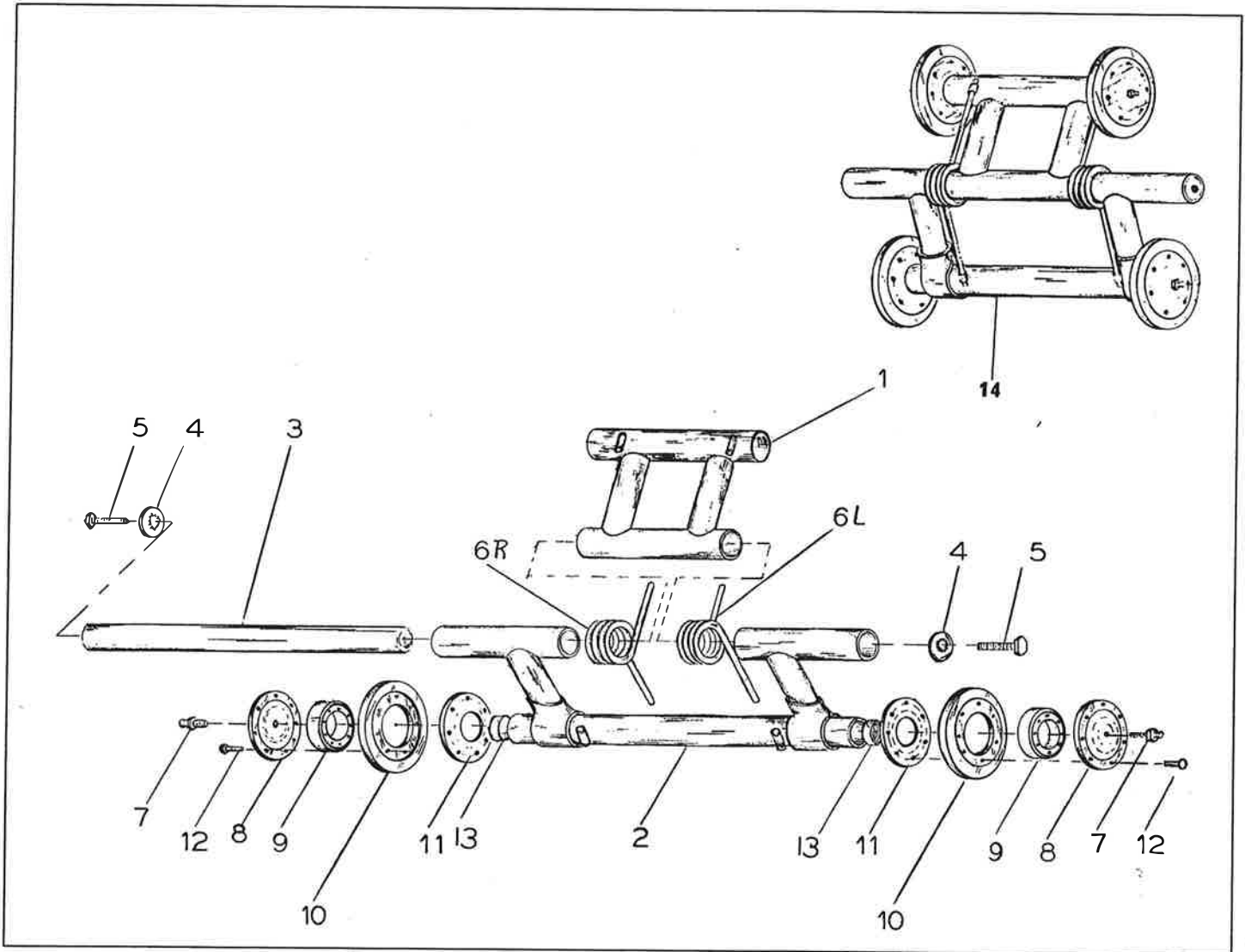
FRONT SHAFT



REF.	NUMBER	DESCRIPTION	QTY.	REF.	NUMBER	DESCRIPTION	QTY.
1	040003	FRONT SHAFT	1	12	680001	GREASE FITTING	2
2	040166	FRONT SPROCKET POLYURATHENE	1	13	710004	"O" RING	2
3	600002	BOLT $\frac{1}{4}$ x 28 x 7/8	4	14	600051	BOLT 5/16 x 24 x 1 $\frac{1}{2}$	6
4	610004	LOCK NUT $\frac{1}{4}$ x 28	4	15	610015	NYLOCK NUT 5/16 x 24	6
5	040010	ALUMINUM COLLAR	2	16	040026	ALUMINUM PLUG	2
6	600106	ALLEN SCREW	4	17	040024	BEARING SUPPORT OUTSIDE	2
7	040011	NYLON BUSHING	4				
8	040168	IDLER WHEEL	2				
9	040025	BEARING SUPPORT INSIDE	2				
10	660007	BEARING	2				
11	710055	"O" RING	2				

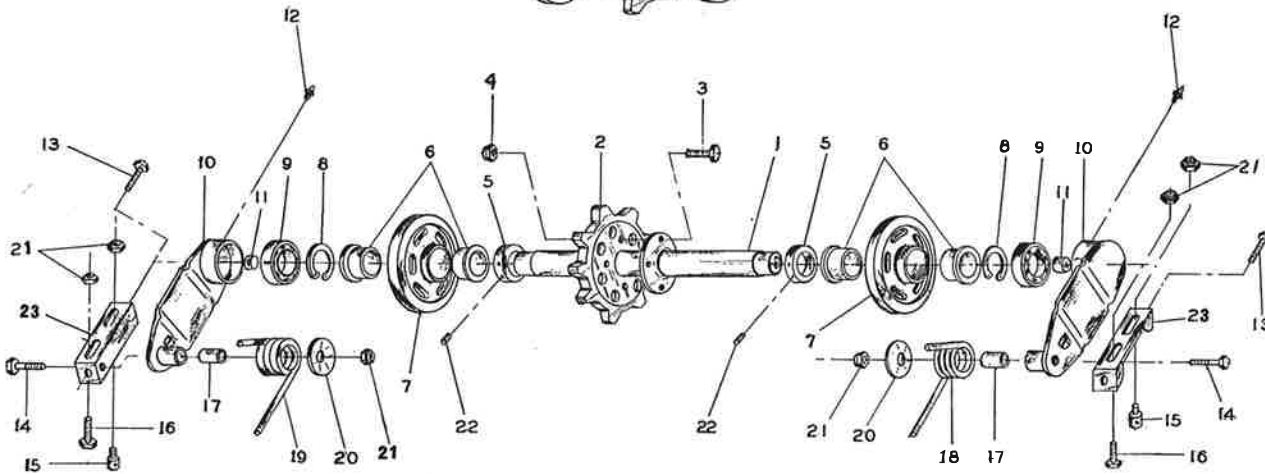
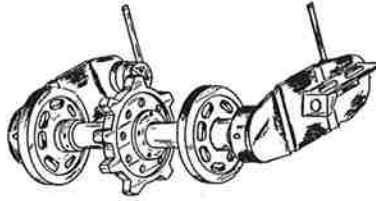
NOTES

BOGGIES WHEELS



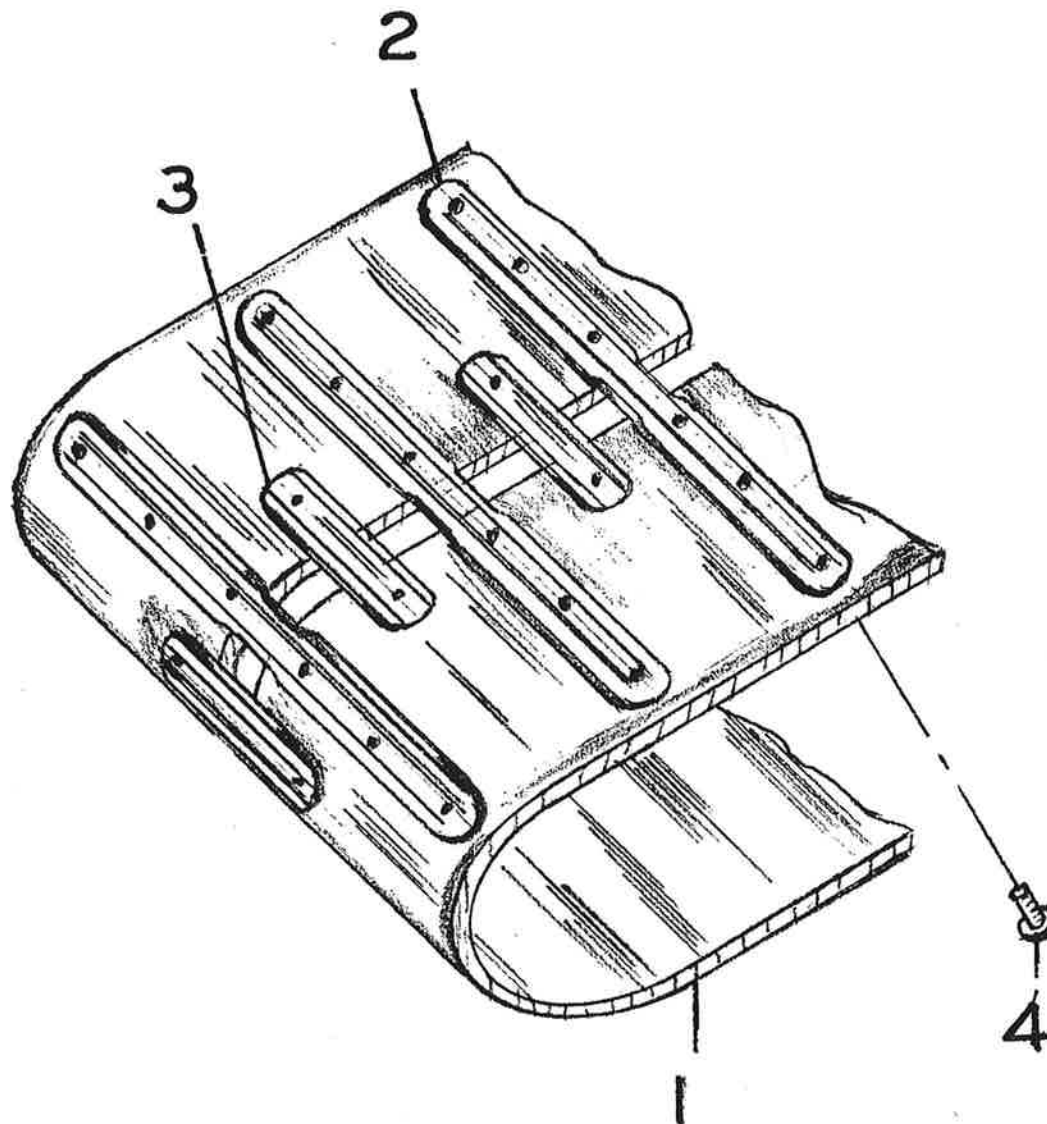
REF.	NUMBER	DESCRIPTION	QTY.	REF.	NUMBER	DESCRIPTION	QTY.
1	030098	WHEEL SUPPORT SHORT	2	10	030010	RUBBER WHEEL	8
2	030103	WHEEL SUPPORT LONG	2	11	030009	WHEEL FLANGE INSIDE	8
3	030014	CROSS SHAFT	2	12	030006	RIVETS	48
4	620010	STAR WASHER 5/16	4	13	710003	CAP	8
5	600023	BOLT 5/16 x 24 x 2	4	14	030107	FRONT BOGGIE ASS'Y	1
6R	030134	FRONT SPRING RIGHT	1	14	030146	REAR BOGGIE ASS'Y	1
6L	030135	FRONT SPRING LEFT	1				
6R	030142	REAR SPRING RIGHT	1				
6L	030143	REAR SPRING LEFT	1				
7	680001	GREASE FITTING	8				
8	030008	WHEEL FLANGE OUTER	8				
9	660003	BEARING	8				

REAR SHAFT



REF.	NUMBER	DESCRIPTION	QTY.	REF.	NUMBER	DESCRIPTION	QTY.
1	040170	REAR SHAFT	1	16	600024	BOLT 5/16 x 24 x $\frac{3}{4}$	2
2	040153	REAR SPROCKET	1	17	040008	BUSHING	2
3	600002	BOLT $\frac{1}{4}$ x 28 x 7/8	4	18	040171	LINK PLATE SPRING RIGHT	2
4	610004	NYLOCK NUT $\frac{1}{4}$ x 28	4	19	040172	LINK PLATE SPRING LEFT	2
5	040010	ALUMINUM COLLAR	2	20	040009	WASHER	2
6	040011	NYLON BUSHING	4	21	610015	NYLOCK NUT 5/16 x 24	8
7	040168	IDLER WHEEL	2	22	600106	ALLEN SCREW $\frac{1}{4}$ x 20 x $\frac{1}{4}$	4
8	640004	SNAP RING	2	23	040043	BRACKET	2
9	660008	BEARING	2				
10	040014	LINK PLATE	2				
11	040026	PLUG	2				
12	680001	GREASE FITTING	2				
13	600021	BOLT 5/16 x 18 x 2 $\frac{1}{2}$	2				
14	600055	BOLT 5/16 x 24 x 2 $\frac{1}{4}$	2				
15	040044	EYE BOLT	2				

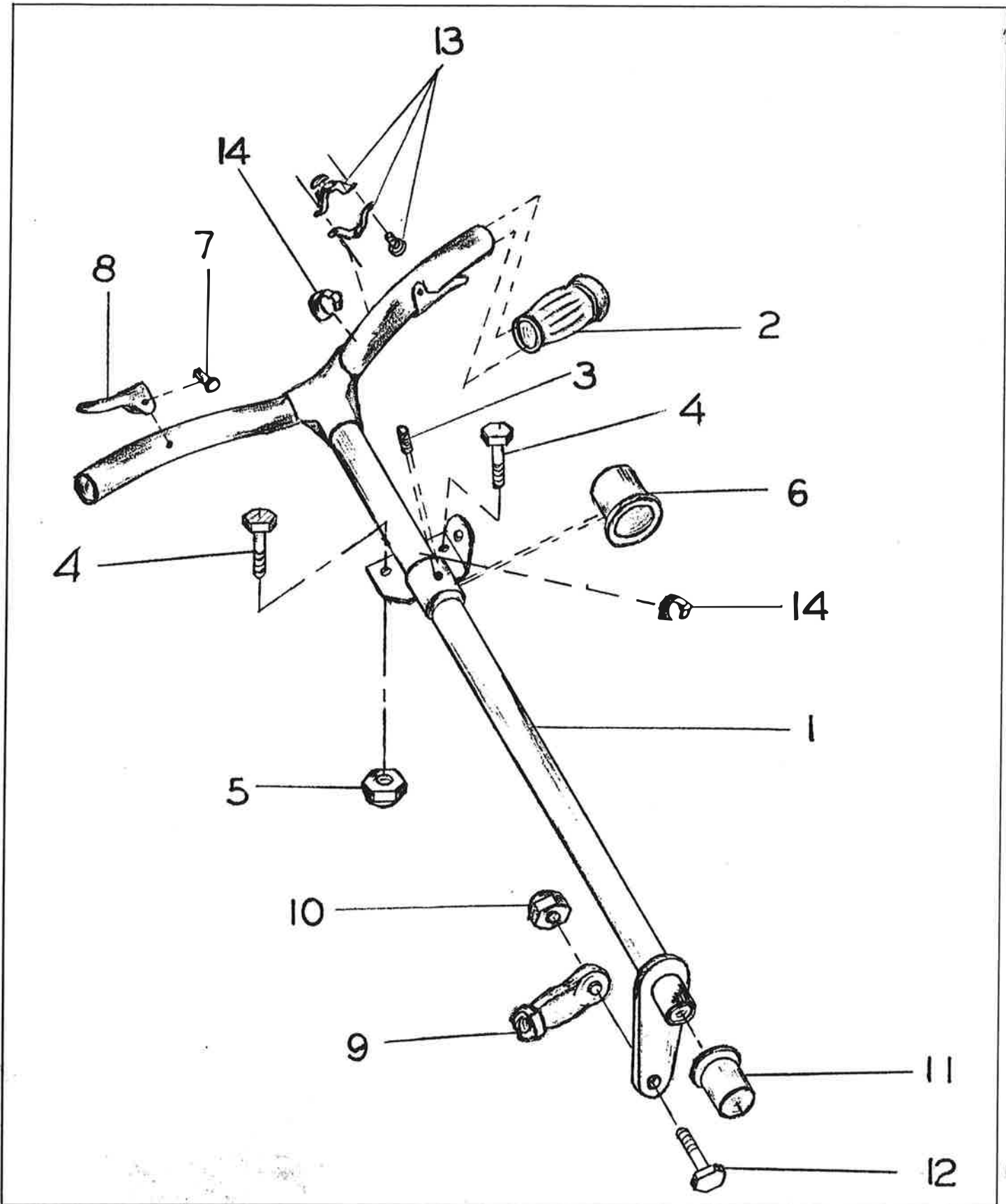
NOTES



REF.	NUMBER	DESCRIPTION	QTY.	REF.	NUMBER	DESCRIPTION	QTY.
1	030147	TRACK ASS'Y	1	3	030130	SHORT CLEAT	23
2	030002	LONG CLEAT	23	4	030004	RIVETS	184

NOTES

STEERING

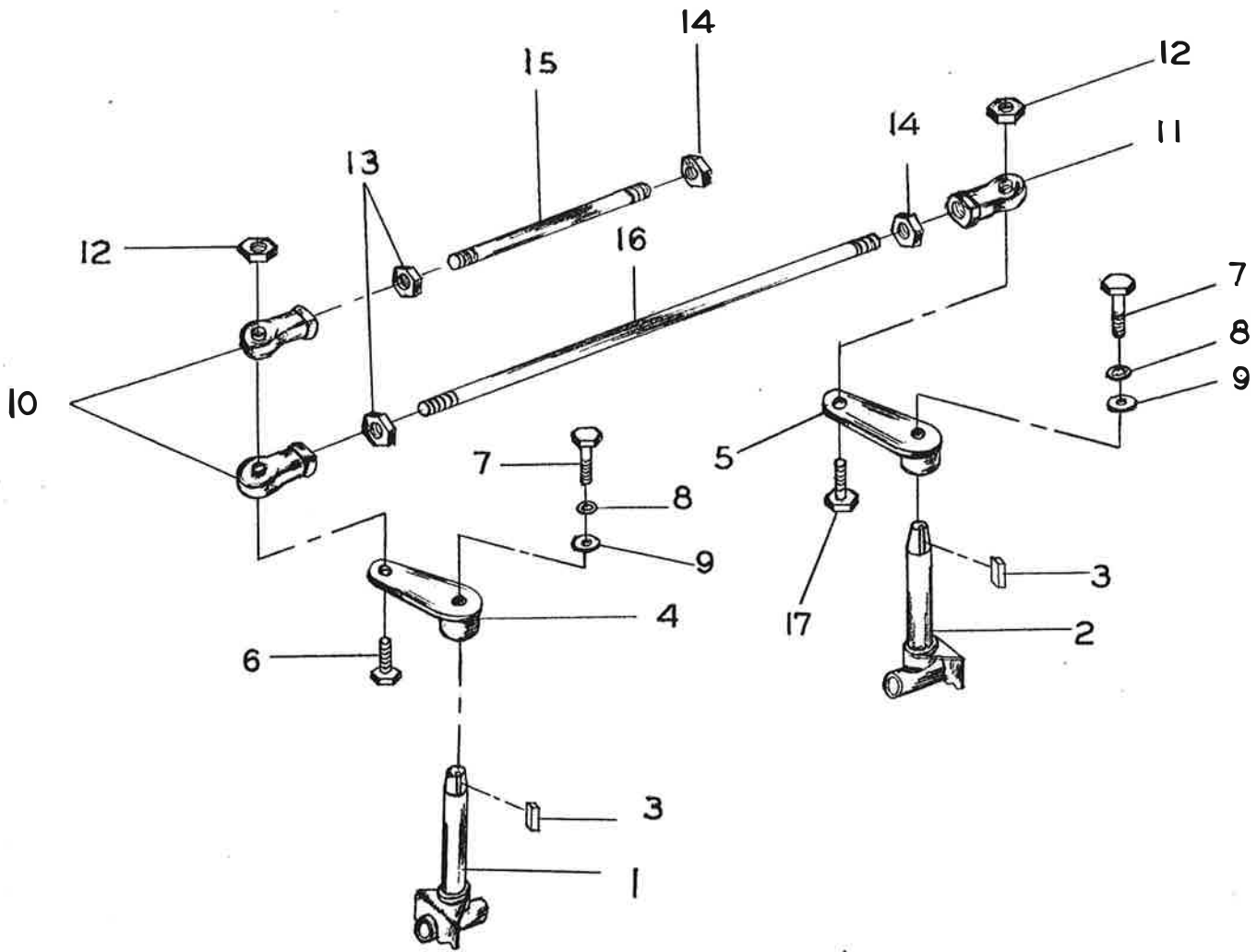


STEERING

REF.	NUMBER	DESCRIPTION	QTY.	REF.	NUMBER	DESCRIPTION	QTY.
1	020182	HANDLE BAR	1	10	610013	NYLOCK NUT 3/8 x 24	1
2	020057	HANDLE BAR GRIP	2	11	020082	NYLON BUSHING	1
3	600106	ALLEN SCREW	2	12	600040	BOLT 3/8 x 24 x 1 1/2	1
4	600024	BOLT 5/16 x 24 x 3/4	2	13	690084	SAFETY SWITCH	1
5	610015	NYLOCK NUT 5/16 x 24	2	14	640002	WIRE CLIP	2
6	020042	NYLON BUSHING	1				
7	020084	RIVETS	2				
8	020085	THROTTLE LEVER AND BRAKE	2				
9	020164	TIE ROD END	1				

NOTES

STEERING CONTROL



REF.	NUMBER	DESCRIPTION	QTY.	REF.	NUMBER	DESCRIPTION	QTY.
1	020183	SKI LEG RIGHT	1	12	610013	NYLOCK NUT 3/8 x 24	2
2	020184	SKI LEG LEFT	1	13	610012	NUT RIGHT H. THREAD	2
3	640074	KEY	2	14	020081	NUT LEFT H. THREAD	2
4	020185	ARM RIGHT	1	15	020187	SHORT ROD	1
5	020186	ARM LEFT	1	16	020188	LONG ROD	1
6	600047	BOLT 3/8 x 24 x 2 1/4	2	17	600040	BOLT 3/8 x 24 x 1 1/2	1
7	600057	BOLT 5/16 x 24 x 1	2				
8	620010	STAR WASHER	2				
9	620064	WASHER	2				
10	020163	TIE ROD END RIGHT	2				
11	020164	TIE ROD END LEFT	2				