

# **MOTO-SKI**

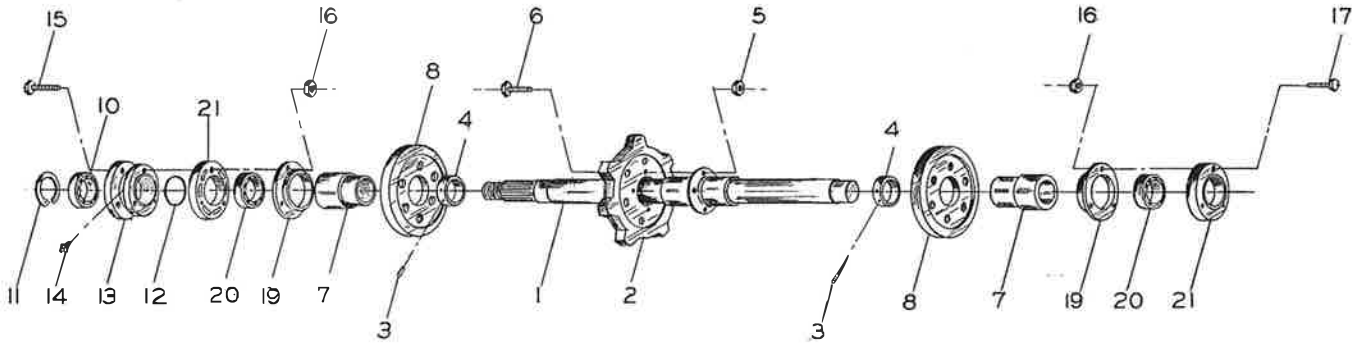
## **1970**



# **PARTS CATALOGUE**

**MOTO-SKI LTÉE/LTD**  
**MOTO-SKI 1970**  
**PARTS CATALOGUE**  
**NO: 400791**  
**AVRIL 72**

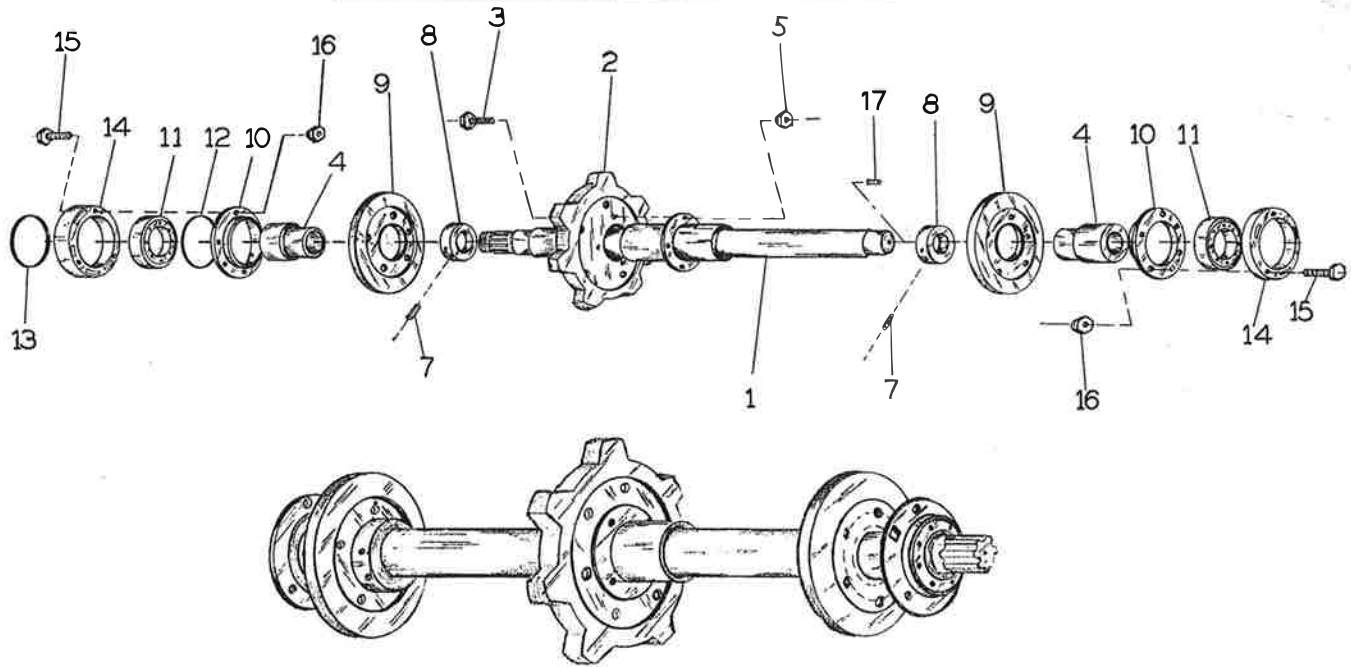
# FRONT SHAFT (GRAND-PRIX)



ITEMS	NUMBER	DESCRIPTION	CD	CP	ZE	GP	MS	ITEMS	NUMBER	DESCRIPTION	CD	CP	ZE	GP	MS
1	040174	FRONT SHAFT GRAND-PRIX 634 CC	-	-	-	1	-	14	680001	GREASE FITTING	-	-	-	1	-
2	040013	FRONT SPROCKET POLYURATHENE	-	-	-	1	-	15	600171	BOLT 5/16 x 24 x 3 1/4	-	-	-	3	-
3	600106	ALLEN SCREW	-	-	-	2	-	16	610015	LOCK NUT 5/16 x 24	-	-	-	6	-
4	620052	WASHER 10/32	-	-	-	2	-	17	600032	BOLT 5/16 x 24 x 1 1/2	-	-	-	3	-
5	610004	LOCK NUT 1/4 x 28	-	-	-	4	-	19	040176	FLANGE	-	-	-	2	-
6	600002	BOLT 1/2 x 28 x 7/8	-	-	-	4	-	20	660007	FRONT SHAFT BEARING	-	-	-	2	-
7	670063	NYLON BUSHING	-	-	-	2	-	21	040121	BEARING SPACER	-	-	-	2	-
8	040109	IDLER WHEEL	-	-	-	2	-								
10	660008	BEARING	-	-	-	1	-								
11	640055	RETAINING RING	-	-	-	2	-								
12	710004	"O" RING	-	-	-	1	-								
13	040175	OUTER SPACER	-	-	-	1	-								

## NOTES

**CADET - CAPRI - ZEPHYR - GRAND-PRIX**

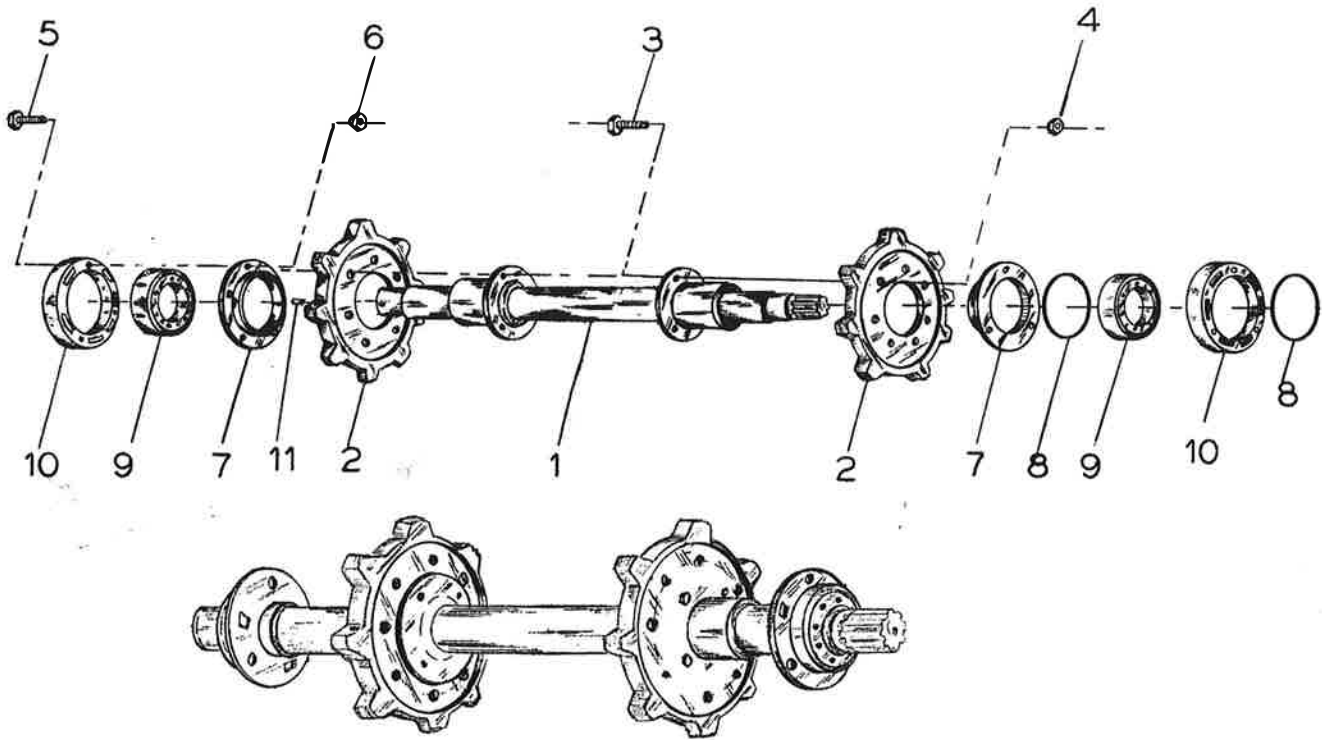


ITEMS	NUMBER	DESCRIPTION	CD	CP	ZE	GP	MS	ITEMS	NUMBER	DESCRIPTION	CD	CP	ZE	GP	MS
1	040145	FRONT AXLE	1	1	1	1	-	13	710004	"O" RING	1	1	1	1	-
2	040018	FRONT SPROCKET STD	1	1	1	1	-	14	040121	BEARING SPACER	1	1	1	1	-
2	040013	FRONT SPROCKET POLYURATHENE H 438-634	-	-	-	1	-	15	600032	BOLT 5/16 x 24 x 1 1/2	6	6	6	6	-
3	600002	BOLT 5/8 x 28 x 7/8	4	4	4	4	-	16	610015	LOCK NUT 5/16 x 24	6	6	6	6	-
4	670063	NYLON BUSHING	2	2	2	2	-	17	690063	SPEEDO ADAPTOR W/ELECTRIC STARTER	-	1	1	-	-
5	610004	LOCK NUT 5/8 x 28	4	4	4	4	-	17	690063	SPEEDO ADAPTOR STANDARD	-	-	-	1	-
7	600106	ALLEN SCREW	2	2	2	2	-								
8	040112	LOCK COLLAR	2	2	2	2	-								
9	040109	IDLER WHEEL	2	2	2	2	-								
10	040120	STEEL CASE	2	2	2	2	-								
11	660052	FRONT SHAFT BEARING	2	2	2	2	-								
12	640063	"O" RING	1	1	1	1	-								

**NOTES**

**FRONT SHAFT**

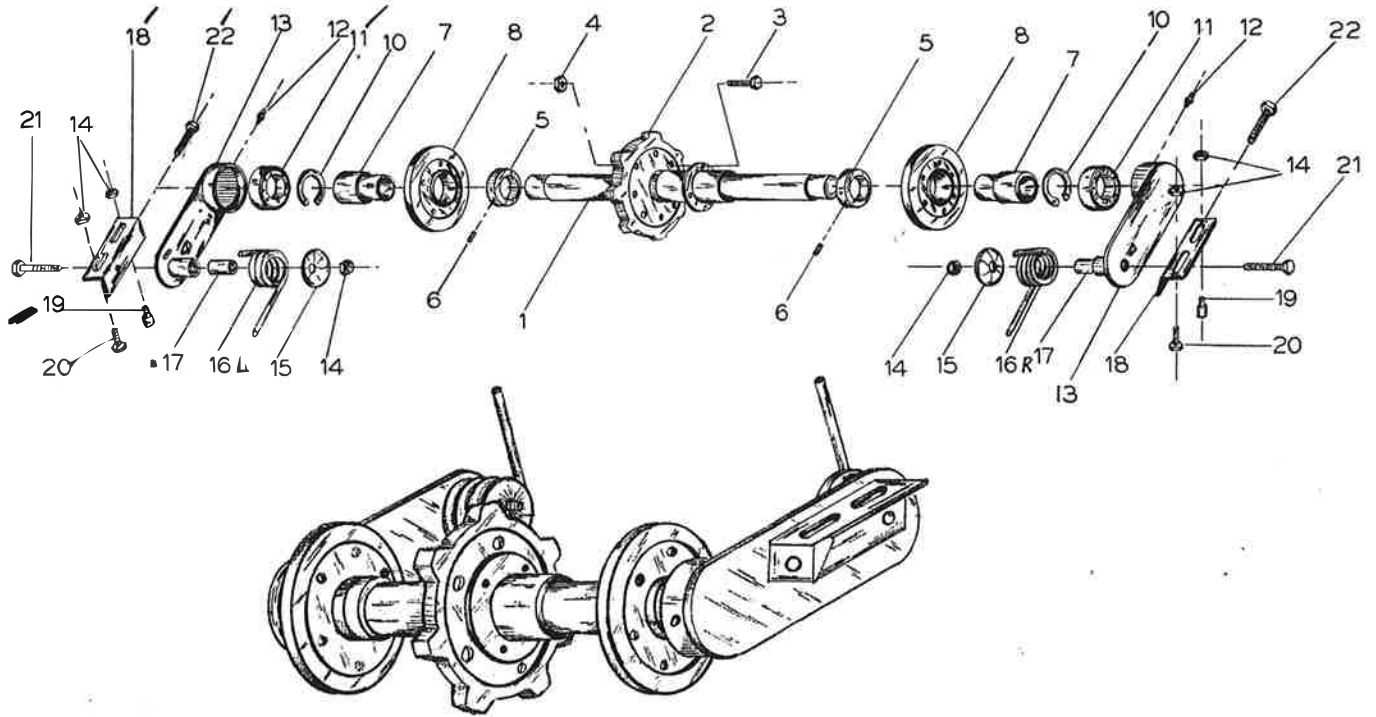
MS-18



ITEMS	NUMBER	DESCRIPTION	CD	CP	ZE	GP	MS	ITEMS	NUMBER	DESCRIPTION	CD	CP	ZE	GP	MS
1	040148	FRONT AXLE	-	-	-	-	1	8	640063	"O" RING	-	-	-	-	2
2	040166	FRONT SPROCKET STANDARD	-	-	-	-	2	9	660052	FRONT SHAFT BEARING	-	-	-	-	2
3	600002	BOLT $\frac{3}{4}$ x 28 x 7/8	-	-	-	-	18	10	040121	BEARING SPACER	-	-	-	-	2
4	610004	LOCK NUT $\frac{1}{2}$ x 28	-	-	-	-	18	11	690063	SPEEDO ADAPTOR	-	-	-	-	1
5	600032	BOLT 5/16 x 24 x 1 $\frac{1}{4}$	-	-	-	-	6								
6	610015	LOCK NUT 5/16 x 24	-	-	-	-	6								
7	040120	STEEL CASE	-	-	-	-	2								

**NOTES**

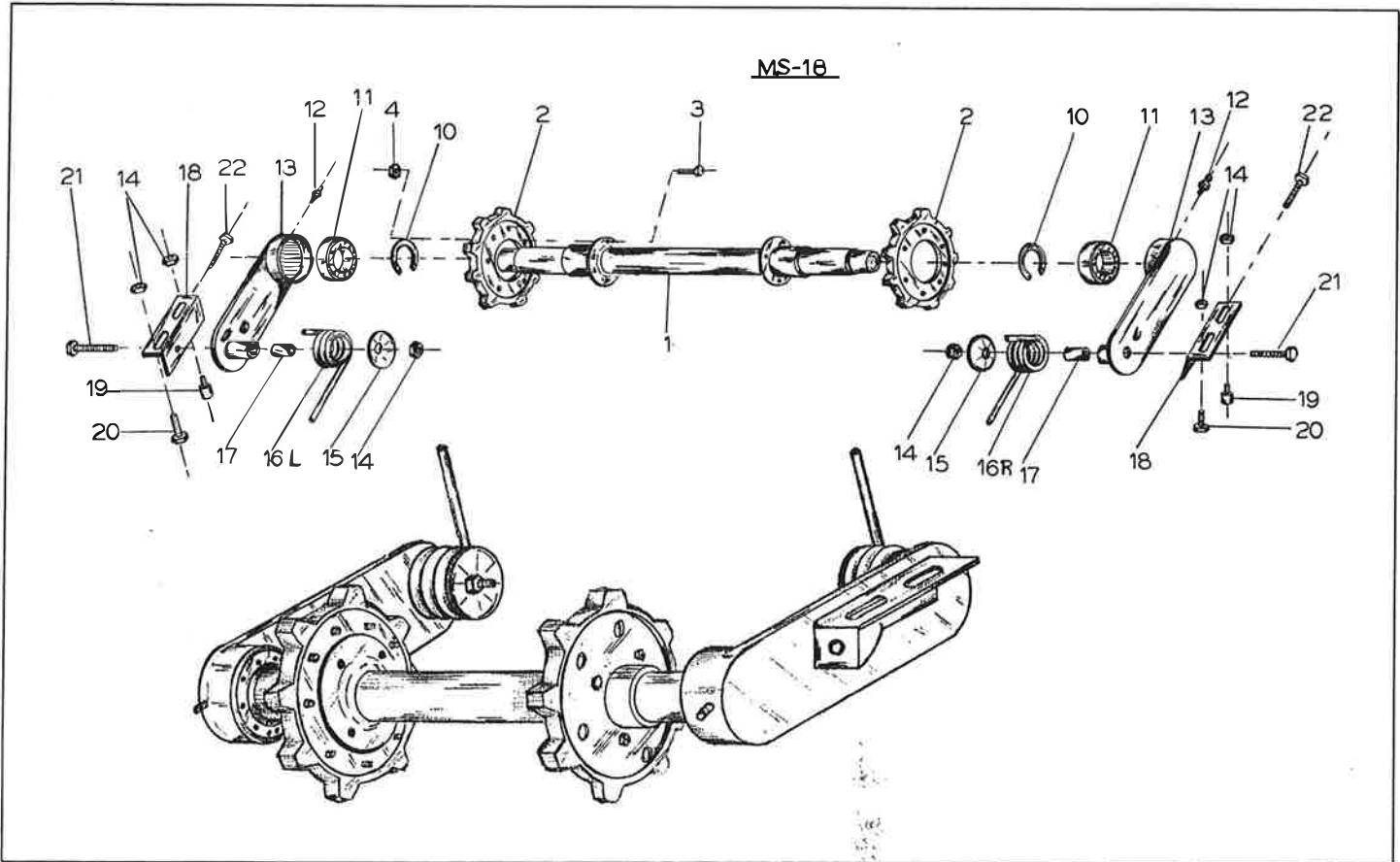
CADET - CAPRI - ZEPHYR



ITEMS	NUMBER	DESCRIPTION	CD	CP	ZE	GP	MS	ITEMS	NUMBER	DESCRIPTION	CD	CP	ZE	GP	MS
1	040149	REAR SHAFT	1	1	1	1	-	14	610015	LOCK NUT 5/16 x 24	6	6	6	6	-
2	040150	REAR SPROCKET	1	1	1	1	-	15	040009	RETAINER WASHER	2	2	2	2	-
3	600002	BOLT 1/2 x 28 x 7/8	4	4	4	4	-	16R	040033	LINK PLATE SPRING	1	1	1	1	-
4	610004	LOCK NUT 1/2 x 28	4	4	4	4	-	16L	040032	LINK PLATE SPRING	1	1	1	1	-
5	040112	LOCK COLLAR	2	2	2	2	-	17	670051	LINK PLATE BUSHING	2	2	2	2	-
6	600106	ALLEN SCREW	2	2	2	2	-	18	040043	ADJUSTING BRACKET	2	2	2	2	-
7	670063	NYLON BUSHING	2	2	2	2	-	19	040044	EYE BOLT	2	2	2	2	-
8	040109	IDLER WHEEL	2	2	2	2	-	20	600024	BOLT 5/16 x 24 x 7/8	2	2	2	2	-
10	640055	RETAINING RING	2	2	2	2	-	21	600022	BOLT 5/16 x 24 x 2 1/2	2	2	2	2	-
11	660005	BEARING	2	2	2	2	-	22	600021	BOLT 5/16 x 18 x 2 1/2	2	2	2	2	-
12	680001	GREASE FITTING	2	2	2	2	-								
13	040151	LINK PLATE	2	2	2	2	-								

NOTES

**REAR SHAFT**



ITEMS	NUMBER	DESCRIPTION	CD	CP	ZE	GP	MS	ITEMS	NUMBER	DESCRIPTION	CD	CP	ZE	GP	MS
1	040152	REAR SHAFT	-	-	-	-	1	16L	040037	L.H. SPRING	-	-	-	-	1
2	040153	REAR SPROCKET	-	-	-	-	2	17	670051	LINK PLATE BUSHING	-	-	-	-	2
3	600002	BOLT $\frac{1}{4}$ x 28 x 7/8	-	-	-	-	18	18	040043	ADJUSTING BRACKET	-	-	-	-	2
4	610004	LOCK NUT $\frac{1}{4}$ x 28	-	-	-	-	18	19	040044	EYE BOLT	-	-	-	-	2
10	640055	RETAINING RING	-	-	-	-	2	20	600024	BOLT 5/16 x 24 x $\frac{3}{4}$	-	-	-	-	2
11	660005	BEARING	-	-	-	-	2	21	600022	BOLT 5/16 x 24 x 2 $\frac{1}{2}$	-	-	-	-	2
12	680001	GREASE FITTING	-	-	-	-	2	22	600021	BOLT 5/16 x 18 x 2 $\frac{1}{2}$	-	-	-	-	2
13	040151	LINK PLATE	-	-	-	-	2								
14	610015	LOCK NUT 5/16 x 24	-	-	-	-	6								
15	040009	RETAINER WASHER	-	-	-	-	2								
16R	040036	R.H. SPRING	-	-	-	-	1								

**NOTES**