

MOTO-SKI

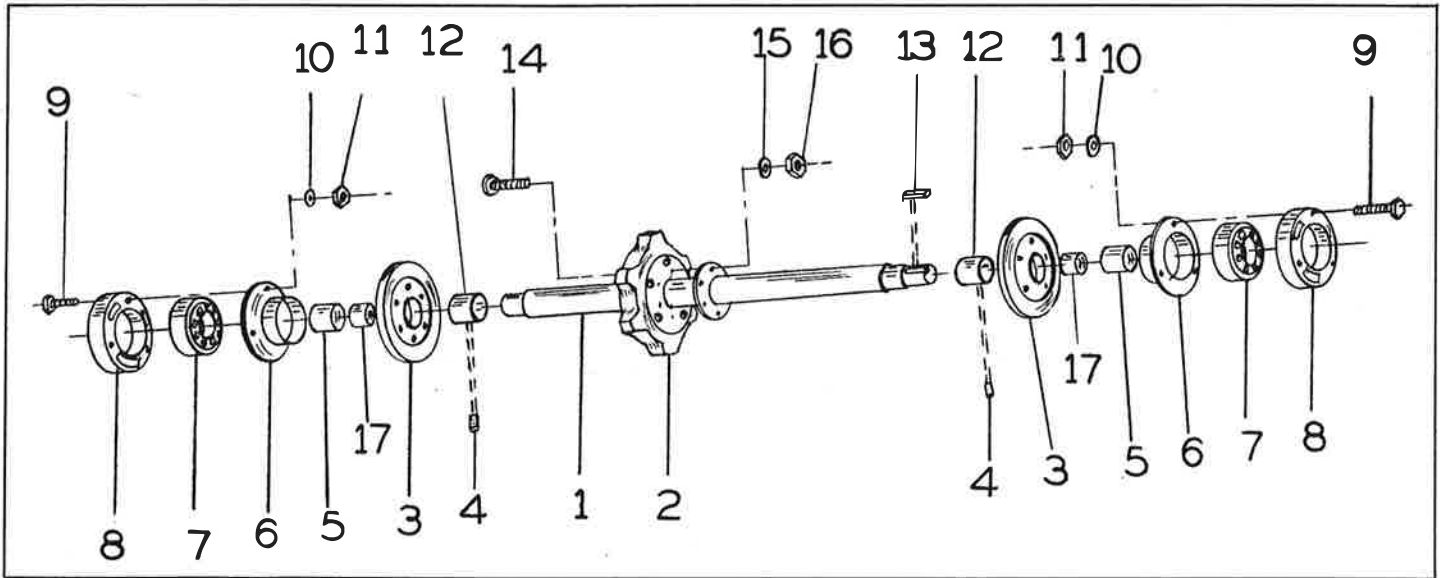
1965



PARTS CATALOGUE

MOTO-SKI LTÉE/LTD
MOTO-SKI 1965
PARTS CATALOGUE
NO: 400791
AVRIL 72

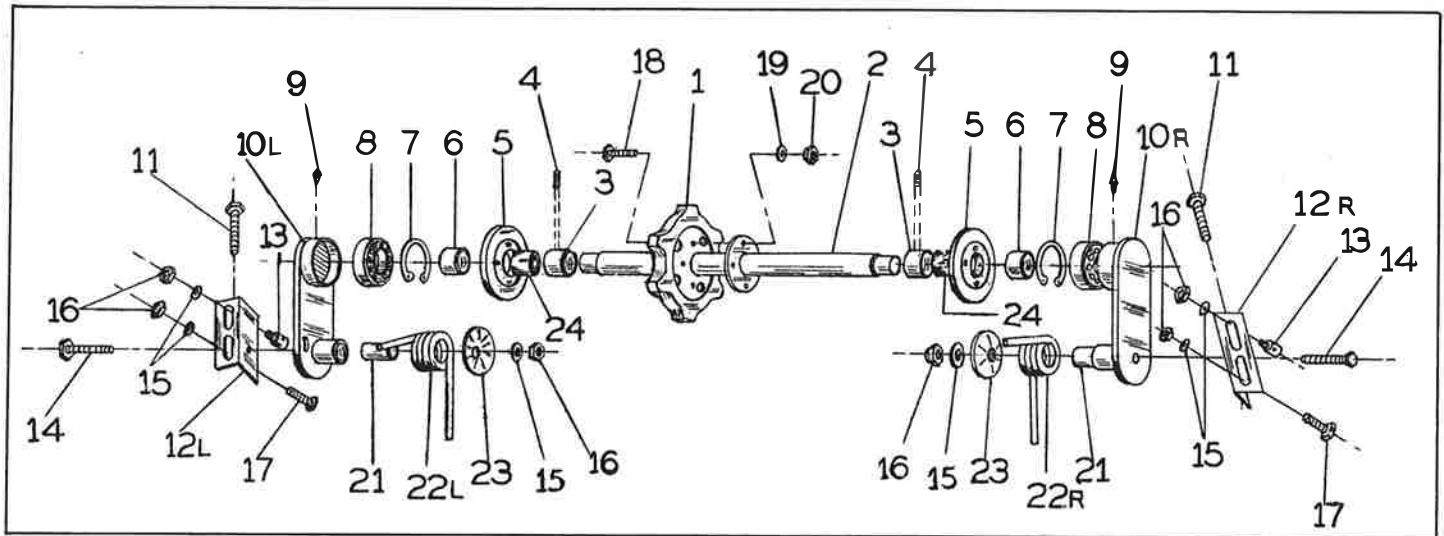
FRONT SHAFT



ITEMS	NUMBER	DESCRIPTION	CD	CP	ZE	GP	MS	ITEMS	NUMBER	DESCRIPTION	CD	CP	ZE	GP	MS
1	040107	FRONT AXLE		1	1			10	620050	LOCK WASHER 5/16		6	6		
2	040115	FRONT SPROCKET STANDARD		1	1			11	610050	NUT 5/16 x 24		6	6		
3	040109	IDLER WHEEL		2	2			12	040112	LOCK COLLAR		2	2		
4	600106	ALLEN SCREW 1/2 x 20 x 1/2		2	2			13	640050	KEY FRONT AXLE		1	1		
5	040108	SPACER		2	2			14	600150	BOLT 1/2 x 28 x 3/4		4	4		
6	040106	FLANGE		2	2			15	620001	LOCK WASHER 1/2		4	4		
7	660050	FRONT SHAFT BEARING		2	2			16	610051	NUT 1/2 x 28		4	4		
8	040104	BEARING SPACER		2	2			17	670050	NYLON BUSHING		2	2		
9	600032	BOLT 5/16 x 24 x 1 1/4		6	6										

NOTES

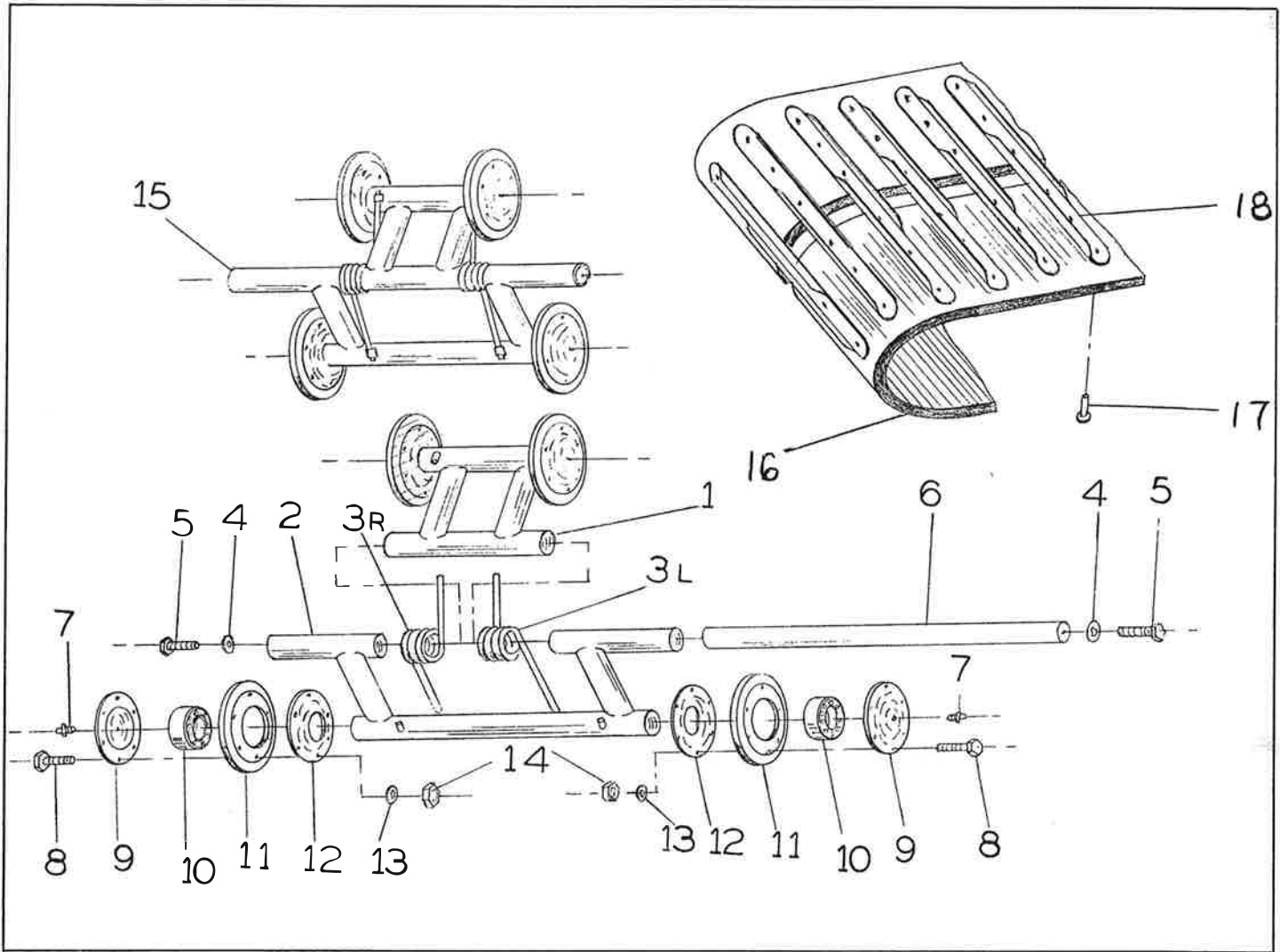
REAR SHAFT



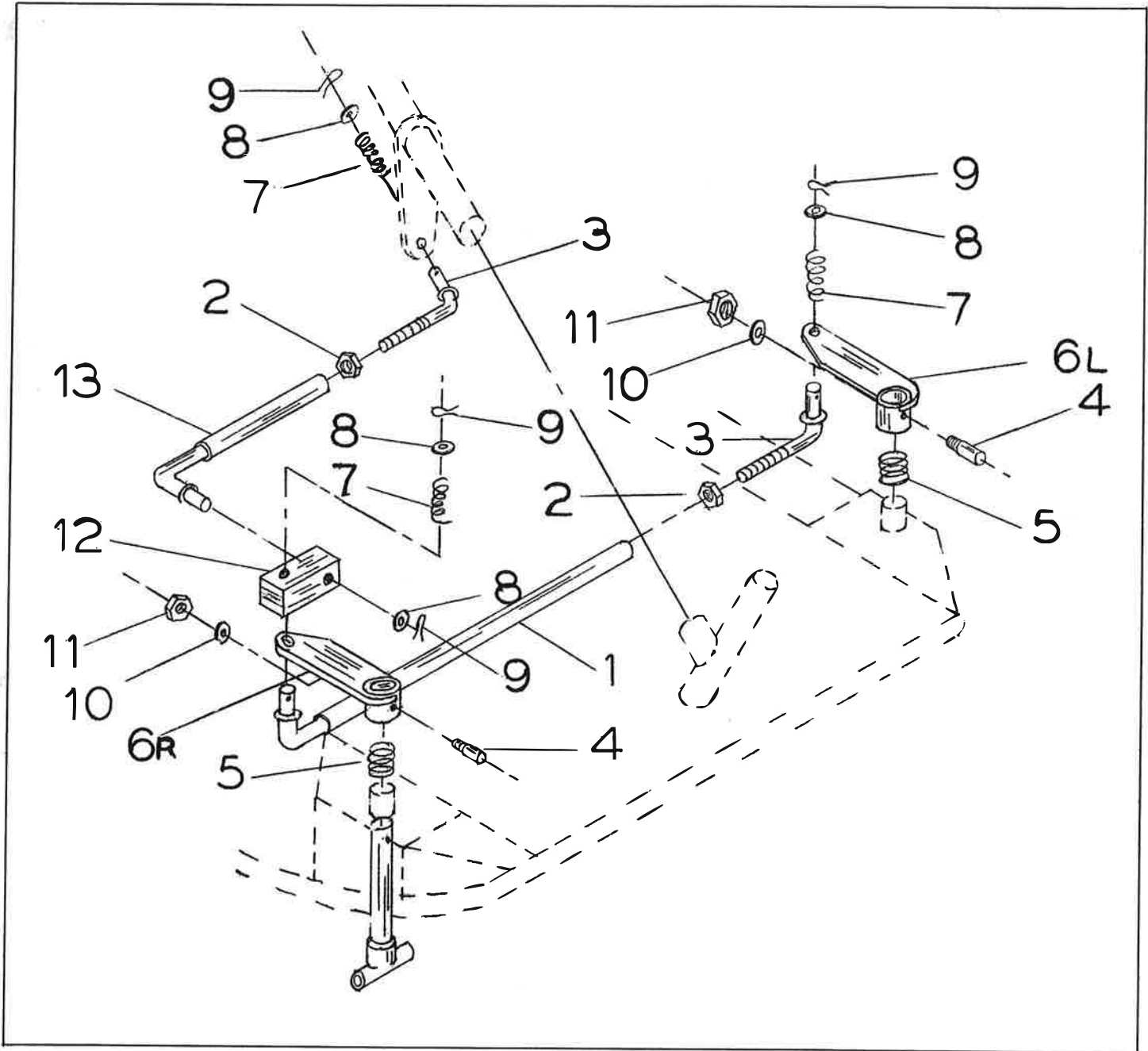
ITEMS	NUMBER	DESCRIPTION	CD	CP	ZE	GP	MS	ITEMS	NUMBER	DESCRIPTION	CD	CP	ZE	GP	MS
1	040110	REAR SPROCKET			1			13	040044	EYE BOLT		2			
2	040103	REAR AXLE			1			14	600022	BOLT 5/16 x 24 x 2 1/2		2			
3	040112	LOCK COLLAR			2			15	620050	LOCK WASHER 5/16		6			
4	600106	ALLEN SCREW 1/2 x 20 x 1/2			2			16	610050	NUT 5/16 x 24		6			
5	040109	IDLER WHEEL			2			17	600024	BOLT 5/16 x 24 x 3/4		2			
6	040108	SPACER			2			18	600150	BOLT 1/2 x 28 x 3/4		4			
7	640078	CIRCLIP			2			19	620001	LOCK WASHER 1/4		4			
8	660051	LINK PLATE BEARING			2			20	610051	NUT 1/4 x 28		4			
9	680001	GREASE FITTING			2			21	670051	LINK PLATE BUSHING		2			
10R	040100	R.H. LINK PLATE			1			22R	040033	R.H. SPRING		1			
10L	040100	L.H. LINK PLATE			1			22L	040032	L.H. SPRING		1			
11	600021	BOLT 5/16 x 18 x 2 1/2			2			23	040009	RETAINER WASHER		2			
12R	040043	R.H. BRACKET			1			24	670050	NYLON BUSHING		2			
12L	040116	L.H. BRACKET			1										

NOTES

BOGGIES WHEELS & TRACK

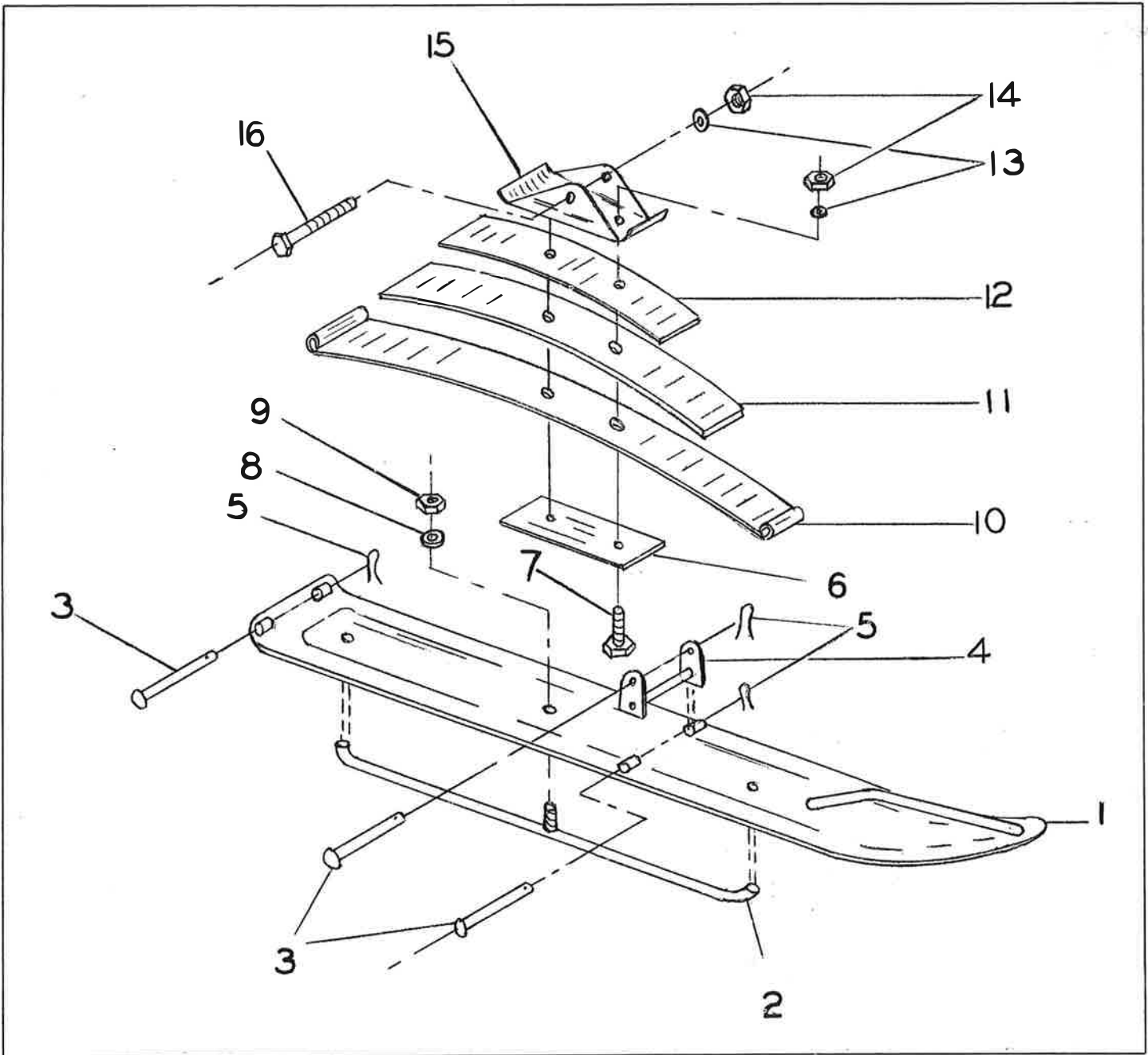


ITEMS	NUMBER	DESCRIPTION	CD	CP	ZE	GP	MS	ITEMS	NUMBER	DESCRIPTION	CD	CP	ZE	GP	MS
1	030033	SHORT SUPPORT		3	-			9	030008	OUTER FLANGE		12	12		
1	030104	SHORT SUPPORT		-	3			10	660003	BEARING		12	12		
2	030126	WHEEL SUPPORT LONG		3	-			11	030010	RUBBER WHEEL		12	12		
2	030106	LONG SUPPORT		-	3			12	030009	INNER FLANGE		12	12		
3R	030109	R.H. SPRING		3	-			13	620052	WASHER 10/32		72	72		
3R	030112	R.H. SPRING		-	3			14	610010	NUT 10/32		72	72		
3L	030110	L.H. SPRING		3	-			15	030107	BOGGIE WHEEL ASS'Y		3	-		
3L	030113	L.H. SPRING		-	3			15	030108	BOGGIE WHEEL ASS'Y		-	3		
4	620050	LOCK WASHER 5/16		6	6			16	030001	TRACK ASS'Y		1	-		
5	600024	BOLT 5/16 x 24 x 3/4		6	6			16	030105	TRACK ASS'Y		-	1		
6	030013	ALUMINIUM SHAFT		2	2			17	030004	RIVETS	AS	REQ'D			
6	030014	STEEL SHAFT		1	1			18	030102	CLEATS		39	47		
7	680001	GREASE FITTING		12	12										
8	600152	BOLT 10/32 x 3/4		72	72										

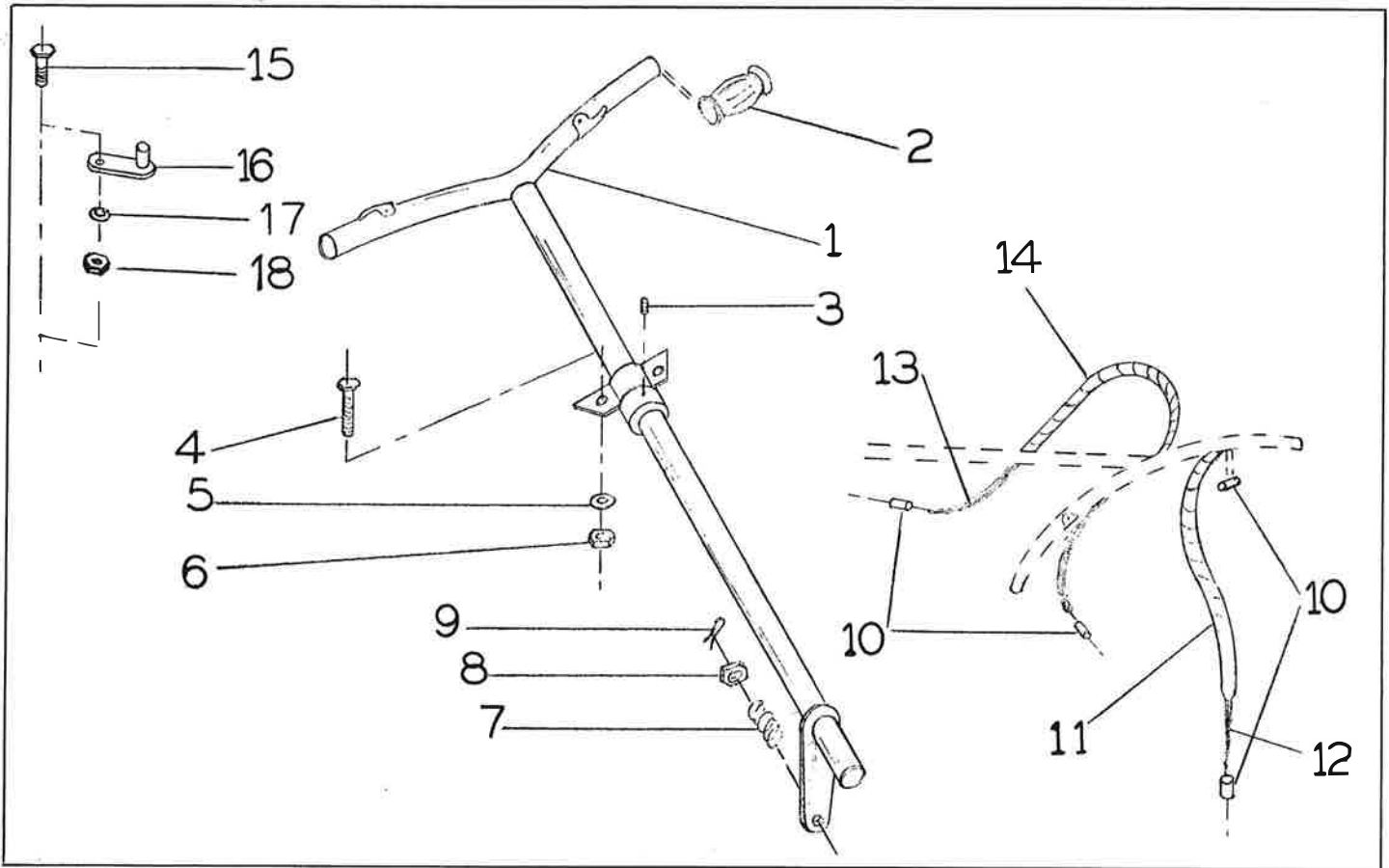


ITEMS	NUMBER	DESCRIPTION	CD	CP	ZE	GP	MS	ITEMS	NUMBER	DESCRIPTION	CD	CP	ZE	GP	MS
1	020113	LONG ROD		1	1			8	620053	FLAT WASHER 3/8		4	4		
2	610013	NUT		2	2			9	640012	CUTTER PIN		4	4		
3	020107	TIE ROD END		2	2			10	620050	LOCK WASHER 5/16		2	2		
4	640051	TAPER PIN		2	2			11	610050	NUT 5/16 x 24		2	2		
5	020109	SPRING		2	2			12	020114	ROD COUPLER		1	1		
6L	020101	L.H. ARM ASS'Y		1	1			13	020115	SHORT ROD		1	1		
6R	020105	R.H. ARM ASS'Y		1	1										
7	020108	SPRING		3	3										

SKI RUNNER



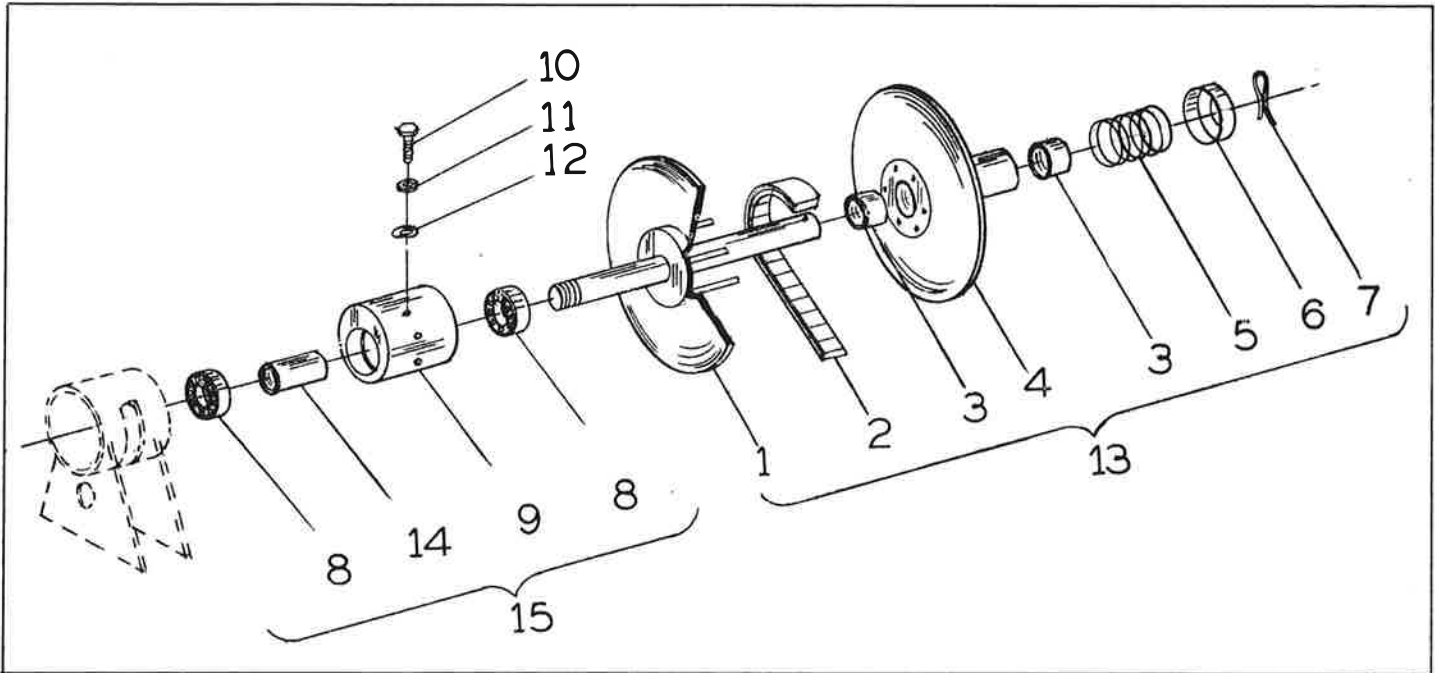
ITEMS	NUMBER	DESCRIPTION	CD	CP	ZE	GP	MS	ITEMS	NUMBER	DESCRIPTION	CD	CP	ZE	GP	MS
1	020104	SKI RUNNER		2	2			9	610051	NUT $\frac{1}{4}$ x 28		2	2		
2	020024	SKI RUNNER SHOE		2	2			10	020103	MAIN LEAF		2	2		
3	640052	CLEVIS PIN		3	3			11	020102	SECOND LEAF		2	2		
4	640012	CUTTER PIN		3	3			12	020029	THIRD LEAF		2	2		
5	640053	SHAKLE		2	2			13	620054	LOCK WASHER 3/8		3	3		
6	020111	REBOUND LEAF SPRING		2	2			14	610013	NUT		3	3		
7	600019	BOLT 3/8 x 24 x 1 $\frac{1}{4}$		4	4			15	020030	SPRING COUPLER		2	2		
8	620001	LOCK WASHER $\frac{1}{4}$		2	2			16	600020	BOLT 3/8 x 24 x 3 $\frac{1}{2}$		2	2		



ITEMS	NUMBER	DESCRIPTION	CD	CP	ZE	GP	MS	ITEMS	NUMBER	DESCRIPTION	CD	CP	ZE	GP	MS
1	020100	HANDLE BAR		1	1			10	020118	CABLE LOCK		4	4		
2	020121	HANDLE BAR GRIP		2	2			11	020119	THROTTLE CABLE HOUSING		1	1		
3	600106	ALLEN SCREW $\frac{1}{8}$ x 20 x $\frac{1}{2}$		1	1			12	020117	THROTTLE CABLE		1	1		
4	600024	BOLT 5/16 x 24 x 3/4		2	2			13	020117	BRAKE CABLE		1	1		
5	620050	LOCK WASHER 5/16		2	2			14	020116	BRAKE CABLE HOUSING		1	1		
6	610050	NUT 5/16 x 24		2	2			15	600153	BOLT		1	1		
7	020108	SPRING		1	1			16	020120	THROTTLE CABLE BRACKET		1	1		
8	620053	FLAT WASHER 3/8		1	1			17	620001	LOCK WASHER $\frac{1}{8}$		1	1		
9	640012	CUTTER PIN		1	1			18	610051	NUT $\frac{1}{8}$ x 28		1	1		

NOTES

DRIVEN PULLEY



ITEMS	NUMBER	DESCRIPTION	CD	CP	ZE	GP	MS	ITEMS	NUMBER	DESCRIPTION	CD	CP	ZE	GP	MS
1	060046	PULLEY INNER		1	1			9	060216	CHAIN TENSIONER		1	1		
2	700050	DRIVE BELT		1	1			10	600034	BOLT 3/8 x 16 x 1		1	1		
3	670052	BRASS BUSHING		2	2			11	620054	LOCK WASHER 3/8		1	1		
4	060207	OUTER PULLEY		1	1			12	060166	WASHER		1	1		
5	060205	SPRING		1	1			13	060221	DRIVEN PULLEY ASS'Y		1	1		
6	060204	SPRING COVER		1	1			14	060075	SPACER		1	1		
7	640006	CUTTER PIN 3/16 x 1 1/4		1	1			15	060220	CHAIN TENSIONER ASS'Y		1	1		
8	660005	BEARING		2	2										

NOTES
